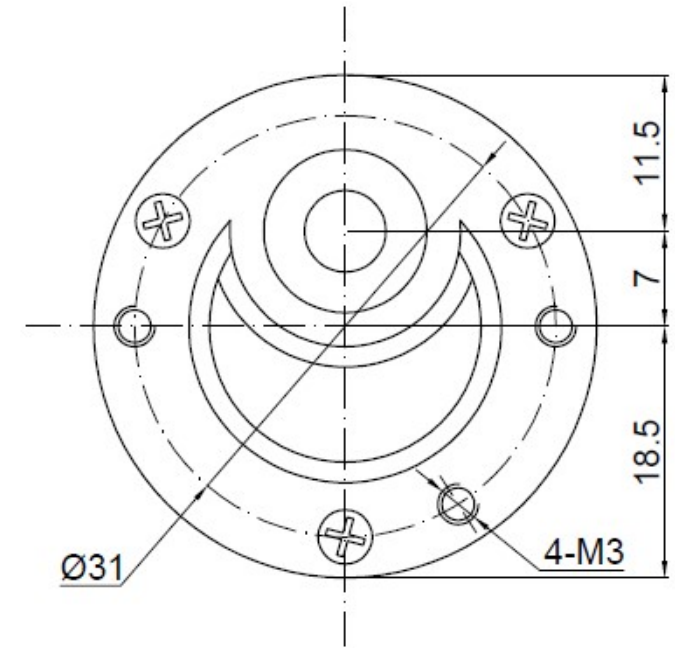
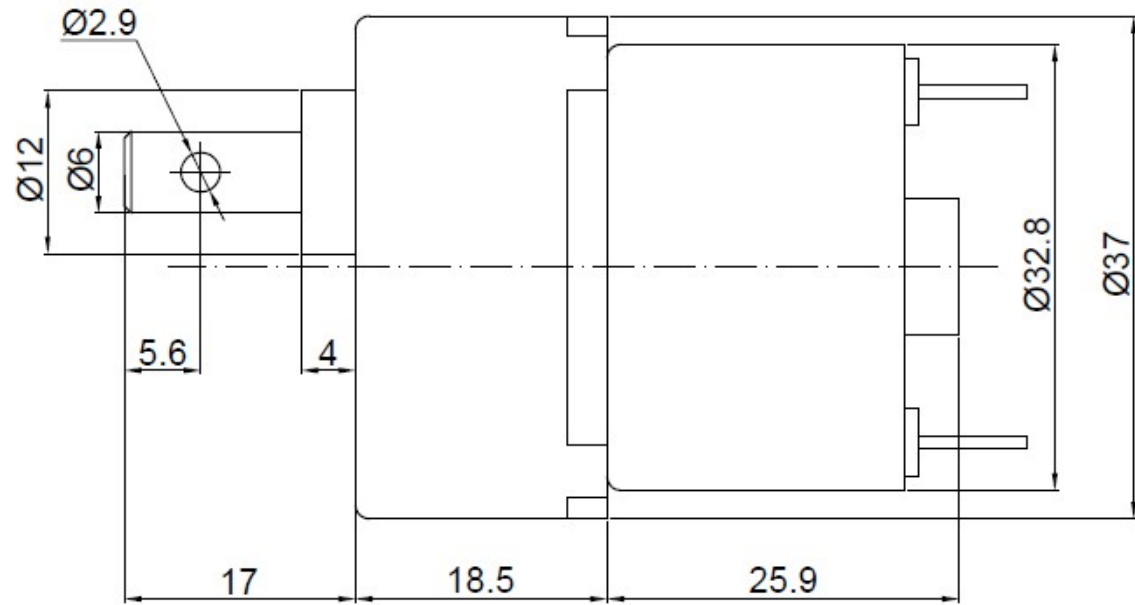


NO.	ITEM	SPECIFICATION
1	Rated Voltage	12V
2	No Load Current	0.12A Max
3	No Load Speed	144 RPM
4	Gear Ratio	50:1
5	Rated Speed	120 RPM
6	Rated Current	0.35A Max
7	Rated Torque	1.5 Kg.cm

Rev.	Revision	Date
01	Update	4/6/2011



DRAWN	Kevin	4/6/2011
CHECKED	Sara	4/6/2011
ENG APPR.		
MFG APPR.		
Q.A.		

UNIT: mm

Sinotech

B38-12V120RPM	SIZE A4	P/N 253471	REV 01
	SCALE: 4:1	Weight(kg):	SHEET 1 OF 1