

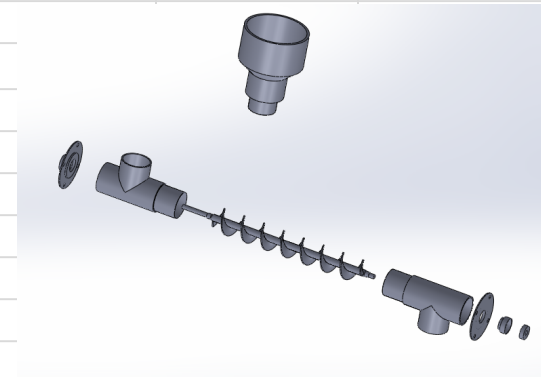
## Bill Of Materials :-

### The Bhel Maker

BM-00-000-00

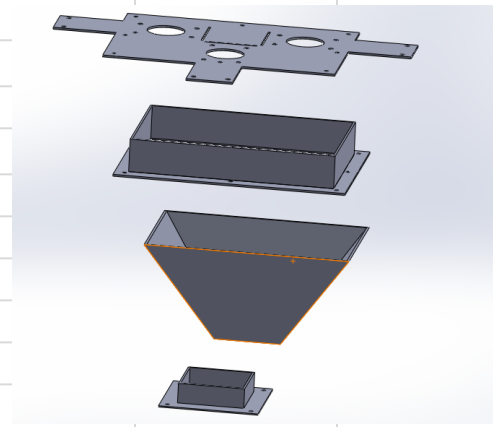
**Sub Assembly :-** Screw Feeder    BM-01-000-00

Name of the part	Quantity	Batch Code	Material	Cost(aprox) in INR
Input hopper	3	BM-01-001-00	PVC	200
Screw Barrel	3	BM-01-002-00	PVC	150
Screw Feeder	3	BM-01-003-00	Galvanised MS	800
Hopper Connectors	6	BM-01-004-00	PVC	40
Bearing holders	6	BM-01-005-00	Galvanised MS	200
Screw Flange	6	BM-01-006-00	Galvanised MS	415
Motor Mounting Plate	3	BM-01-007-00	MS	155
Clamping Studs (M6)	6	BM-01-008-00	SS	73
Motor DC 12v 10RPM	3	BM-01-008-00	--	900



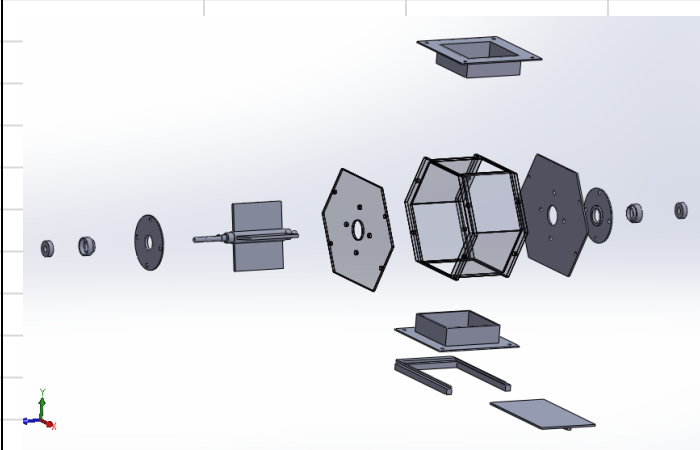
**Sub Assembly :-** Main Hopper    BM-02-000-00

Name of the part	Quantity	Batch Code	Material	Cost(aprox) in INR
Top Plate	1	BM-02-001-00	Acrylic 3mm	55
Hopper Flange	1	BM-02-002-00	Acrylic 3mm	30
Hopper Body	1	BM-02-003-00	Acrylic 3mm	157
Throat	1	BM-02-004-00	Acrylic 3mm	122



**Sub Assembly :-** Mixer    BM-03-000-00

Name of the part	Quantity	Batch Code	Material	Cost(aprox) in INR
Throat	2	BM-03-001-00	Acrylic 3mm	244
Mixer Body	1	BM-03-002-00	Acrylic 3mm	163
Mixer side flange	2	BM-03-003-00	Acrylic 5mm	95
Bearing holders	2	BM-03-004-00	Galvanised MS	70
Bearing Flanges	2	BM-03-005-00	Galvanised MS	138
Motor mount	2	BM-03-006-00	MS	104
Motor DC 12V 30RPM	2	BM-03-007-00	---	600
Mixer Blade	1	BM-03-008-00	Galvanised MS	450
Spacers	2	BM-03-009-00	Acrylic 3mm	28
Bottom Flange	1	BM-03-010-00	MDF 3mm	65
Slider Plate	1	BM-03-011-00	MDF 3mm	30
Rack and Pinion Mechanism	1	BM-03-012-00	PLA (polylactic acid)	25



TOTAL COST in INR :	<b>5,309</b>
TOTAL COST in USD :	<b>84</b>