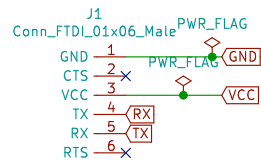
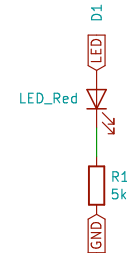
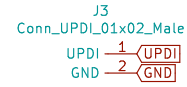
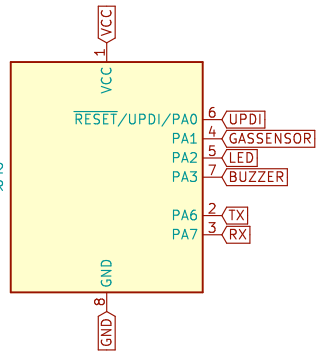
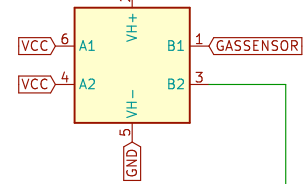


U2
Microcontroller_ATtiny412_SSFR



U1
MQ-2



Sheet: /		
File: Gas Sensor Board.sch		
Title:		
Size: A4	Date:	Rev:
KiCad E.D.A. eeschema (5.1.9-0-10_14)		Id: 1/1